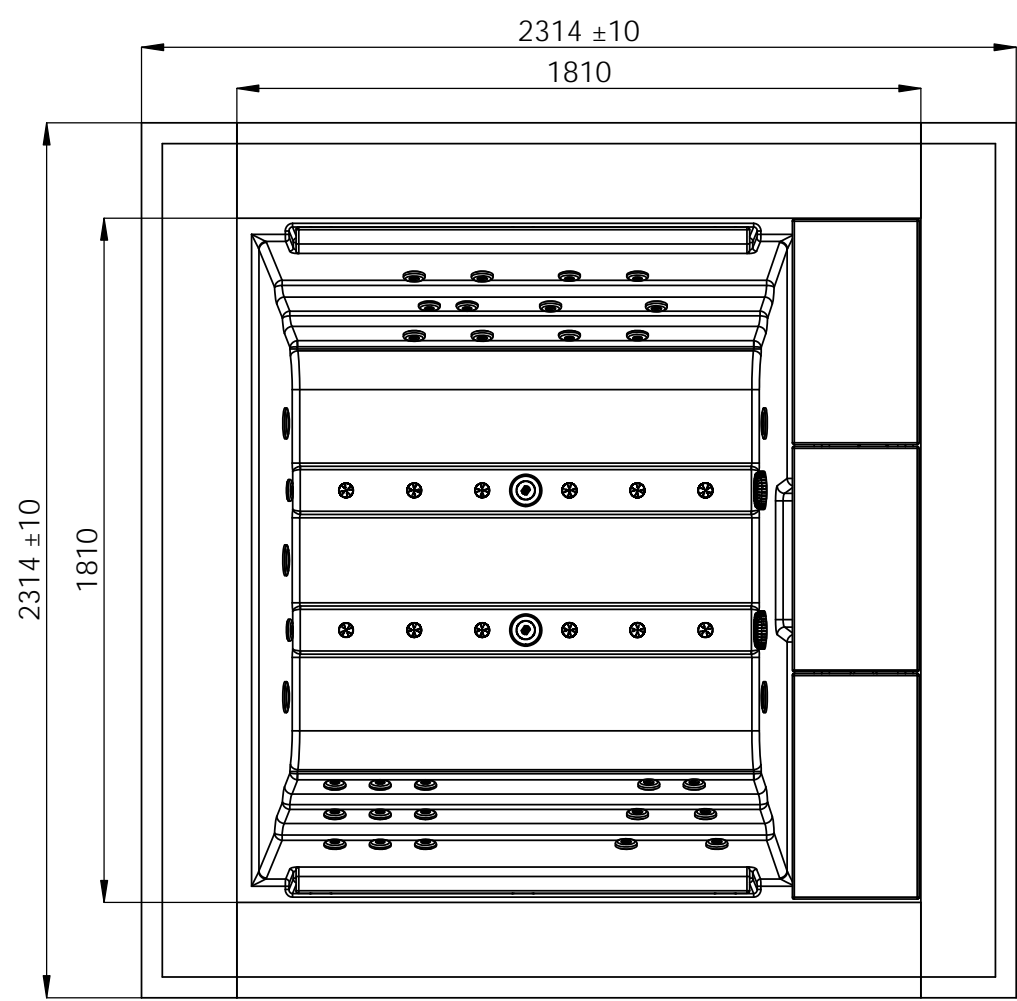
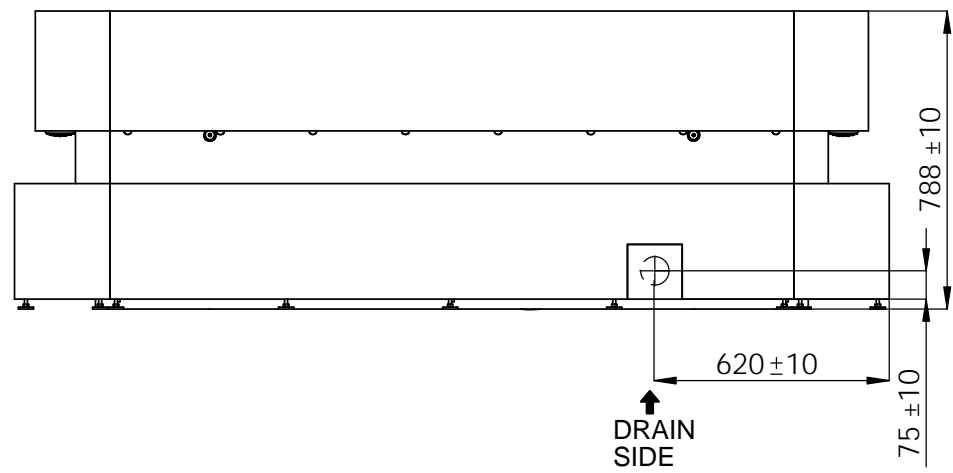
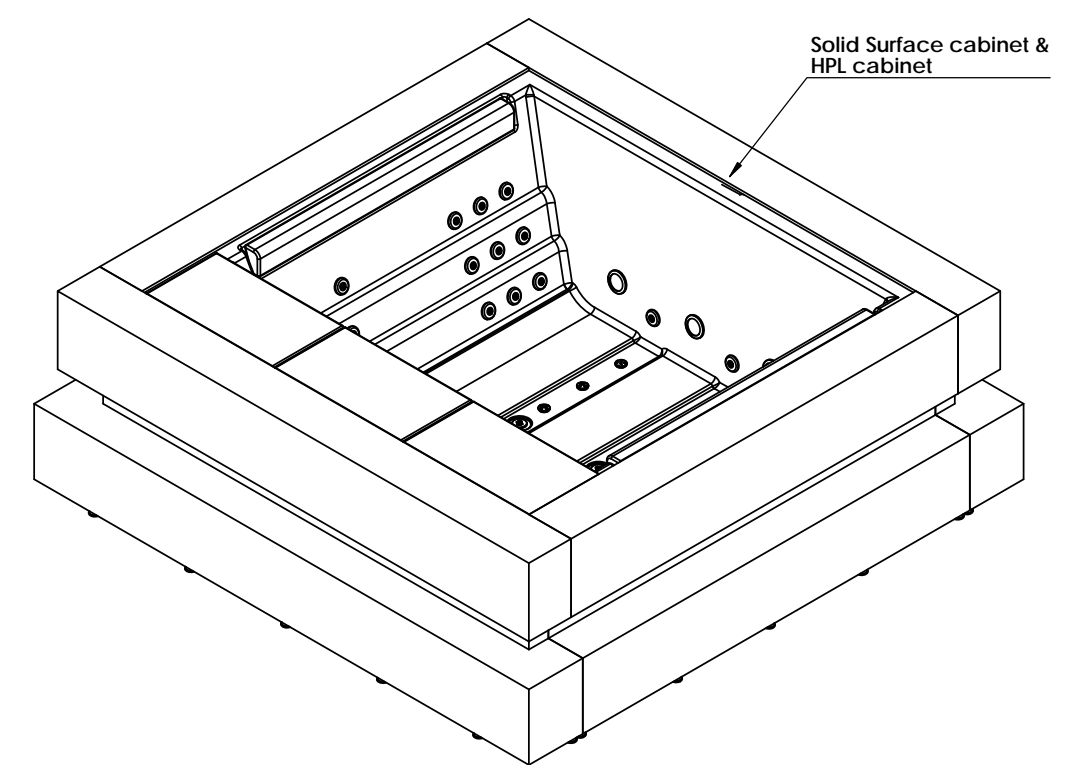


General specifications		
Spa Package dimension	2420x1200x2200mm	
Cabinet Package dimension	2400x900x1470mm	
Spa Package weight		333 Kg
Cabinet Package Weight		400 Kg
	HPL	Solid Surface


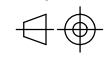


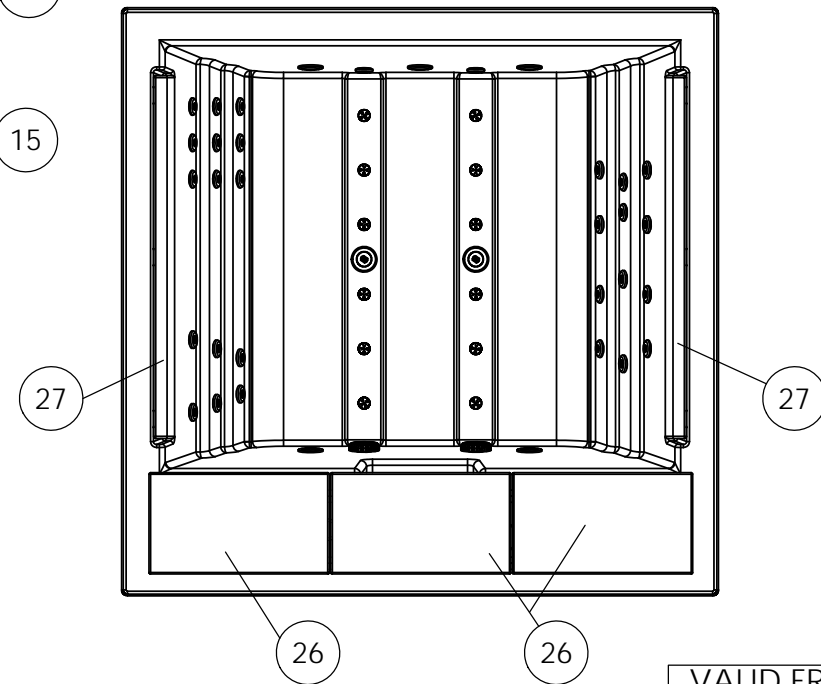
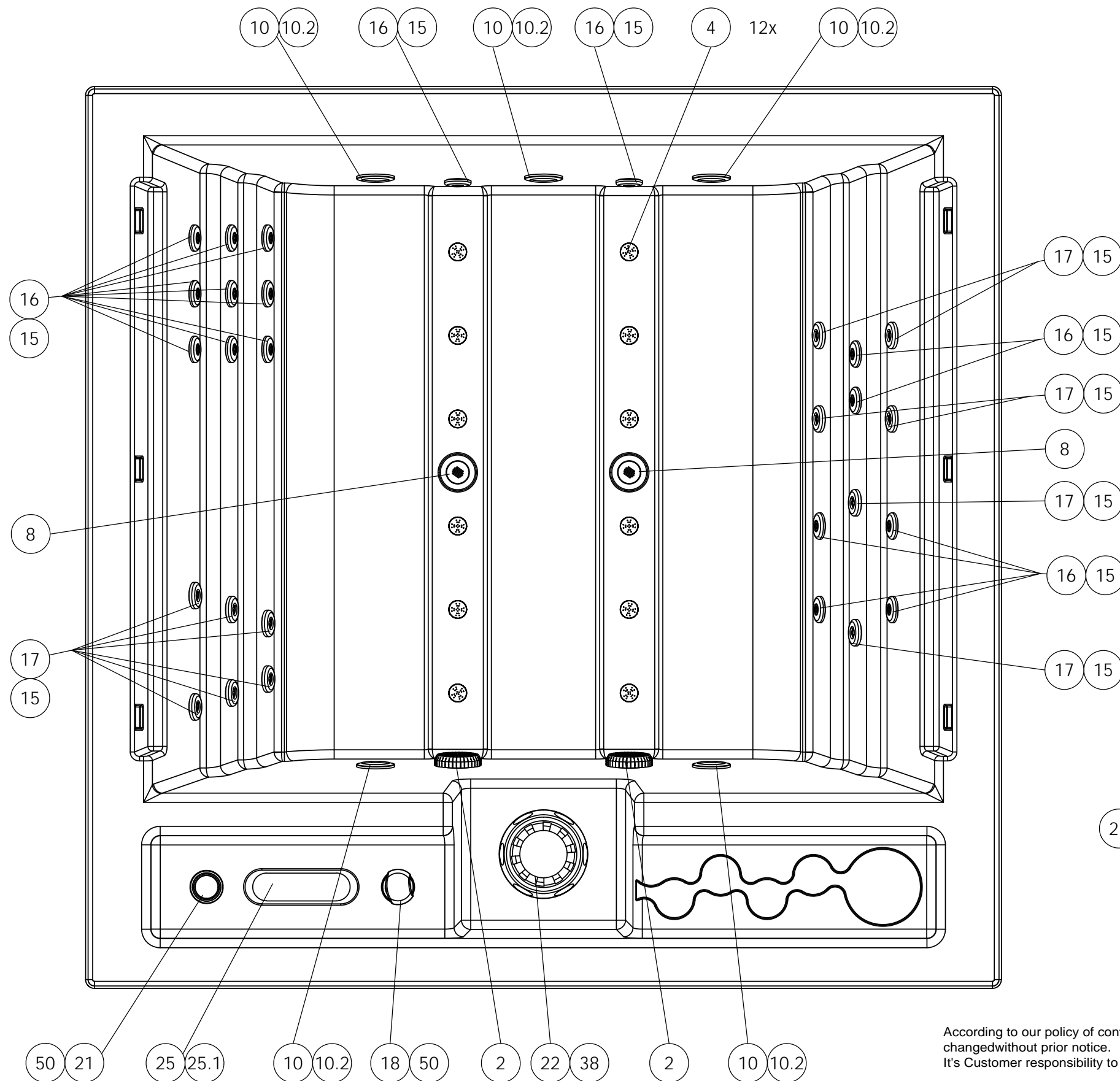
ELECTRICAL BOARD CONNECTIONS ACCESS



VALID FROM 09/06/2016

According to our policy of continuous improvement, dimensions, features or components of this product can be partially or completely changed without prior notice. It's Customer responsibility to verify that this is the last version of the drawing

07	23/06/2016	I.Pozo	Change blower and add new spare templates
06	28/10/2015	E. Graells	Furniture update
05	07/10/2014	I.Pozo	Change Blower 700W and add transformer/controler
04	15/04/2014	I.Pozo	Change filter
Change No.	Date	Name	Modification
Remarks			COMMERCIAL
Dimensions in mm. General Tolerances +/- 10mm			
Drawn	09/04/2013	X.Codina	
Checked	28/10/2015	V. Saiz	
Scale 1:20	General Tolerance		Part Number <b>56541</b>
Sheet 1/3	DIN 7168 ISO 2768g		
			Rev. <b>07</b>
			First Angle Projection 



ACCESSORIES			
Position Num.	PartNo SPARE	Description SPARE	Quant.
2	RPOR0225	GREY SPA DRAIN 2" ADAPTOR SOCKET D.50	2
4	REMP0046	WHITE-STAINLESS STEEL AIR NOZZLE	12
8	RPOR0003	GREY DRAIN SET - BODY+COVER+ASSEMBLY	2
10	RPOR0239	SPOTLIGHT LED SET RD	5
10.2	RPOR0252	LED SLAVE LIGHT	5
15	RPOR0235	JET BODY SET RD 2"	29
16	RPOR0230	FRONTAL JET 2" STAINLESS STEEL DIRECTIONAL	17
17	RPOR0260	JET TWIN ROTO 2" INOX	12
18	RPOR0261	VENTURY CONTROLLER SS	1
21	RPOR0264	AROMA DISPENSER ASM LIT	1
22	RPOR0238	SKIMERFILTER RD LOW PROFILE	1
25	RPOR0195	DIGITAL PANEL VL700+COVER 1 PUMP + BLOWER	1
25.1	RPOR0201	COVER DIGITAL PANEL VL700 1 PUMP + BLOWER	1
26	RPOR0269	TOP COVER CUBE SPA	3
27	RPOR0270	HEADREST CUBE SPA	2
38	RPOR0247	FILTER CARTRIDGE SKIMFILTER RD	1
49	RPOR0136	DRAIN FILL VALVE (BLACK)	1
50	RPOR0267	4 LEDS LIGHTS POINTS	2
70	RPOR0280	LEDS TRANSFORMER 5V DC	1
71	RPOR0281	LEDS CONTROLER	1
73	RPOR0259	CABLE 4 OUTPUTS + LEDS	8
100	RPOR0314	AQUATIC GRILL BLACK SPEAKER 2"	4
101	RPOR0320	MINISPEAKER BLACK 2"	4

VALID FROM 09/06/2016

According to our policy of continuous improvement, dimensions, features or components of this product can be partially or completely changed without prior notice. It's Customer responsibility to verify that this is the last version of the drawing

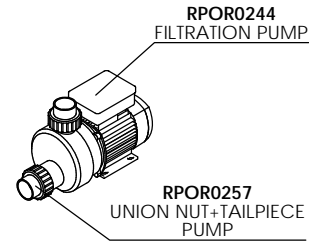
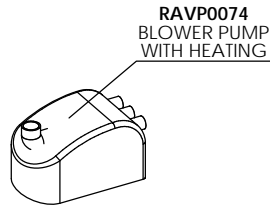
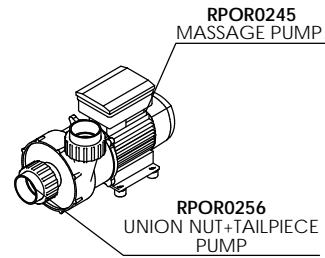
Change No.	Date	Name	Modification
07	23/06/2016	I.Pozo	Change blower and add new spare templates
06	28/10/2015	E. Graells	Furniture update
05	07/10/2014	I.Pozo	Change Blower 700W and add transformer/controler
04	15/04/2014	I.Pozo	Change filter

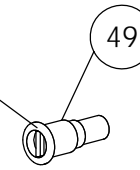
Remarks			SPARE PARTS DRAWING		
Dimensions in mm. General Tolerances +/- 10mm					
Drawn	09/04/2013	X.Codina		Part Number	56541
Checked	28/10/2015	V. Saiz			
Scale 1:10	General Tolerance DIN 7168 ISO 2768g				
Sheet 2/3				Rev.	07
					First Angle Projection

Property of IBERSPA S.L. Avda. Pla d'Urgell 2-8 25200 Cervera, Spain. Don't use without permission. Keep this information confidential and use it solely for the permitted purpose.

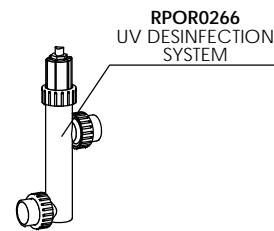
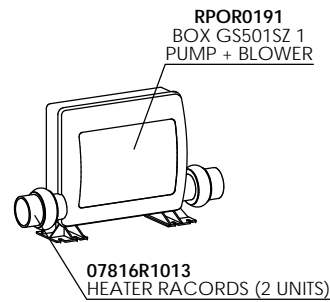
**PUMPS SPARE CODES**



RPOR0136  
DRAIN FILL VALVE (BLACK)

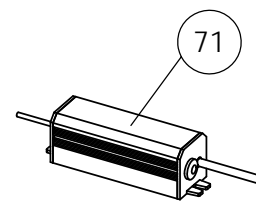
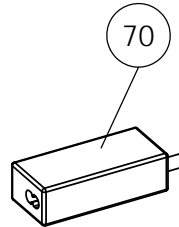


**HEATER AND DESINFECTION SPARE CODES**

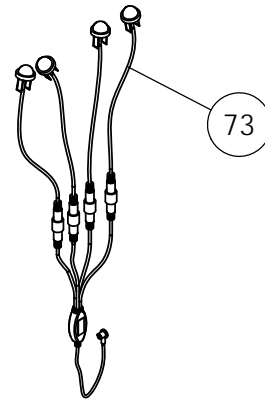


RPOR0101 - TEMPERATURE PROBES GS I GL (x 2)  
RPOR0105 - HEATER 3 KW GS I GL  
RPOR0197 - DIGITAL PANEL GS501SZ

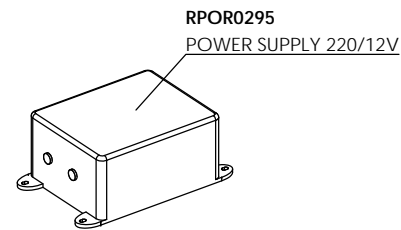
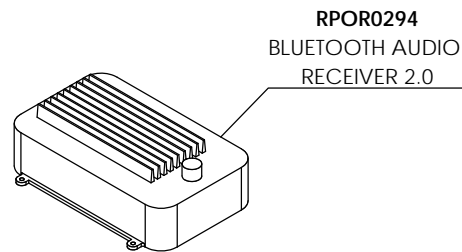
**LIGHT COMPONENTS SPARE CODES**



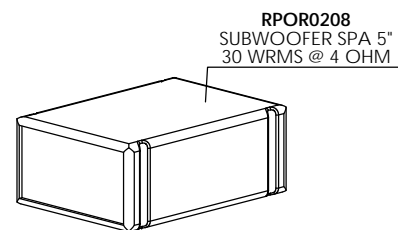
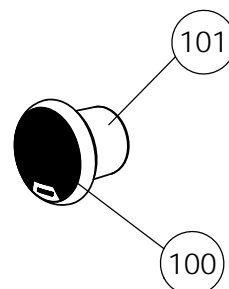
**PURE LINE LIGHTING SPARE CODES**



**AUDIO SPARE CODES**



RPOR0321 - CONNECTORS CABLE SYSTEM 2.1



ACCESSORIES			
Position Num.	PartNo SPARE	Description SPARE	Quant.
2	RPOR0225	GREY SPA DRAIN 2" ADAPTOR SOCKET D.50	2
4	REMP0046	WHITE-STAINLESS STEEL AIR NOZZLE	12
8	RPOR0003	GREY DRAIN SET - BODY+COVER+ASSEMBLY	2
10	RPOR0239	SPOTLIGHT LED SET RD	5
10.2	RPOR0252	LED SLAVE LIGHT	5
15	RPOR0235	JET BODY SET RD 2"	29
16	RPOR0230	FRONTAL JET 2" STAINLESS STEEL DIRECTIONAL	17
17	RPOR0260	JET TWIN ROTO 2" INOX	12
18	RPOR0261	VENTURY CONTROLLER SS	1
21	RPOR0264	AROMA DISPENSER ASM LIT	1
22	RPOR0238	SKIMERFILTER RD LOW PROFILE	1
25	RPOR0195	DIGITAL PANEL VL700+COVER 1 PUMP + BLOWER	1
25.1	RPOR0201	COVER DIGITAL PANEL VL700 1 PUMP + BLOWER	1
26	RPOR0269	TOP COVER CUBE SPA	3
27	RPOR0270	HEADREST CUBE SPA	2
38	RPOR0247	FILTER CARTRIDGE SKIMFILTER RD	1
49	RPOR0136	DRAIN FILL VALVE (BLACK)	1
50	RPOR0267	4 LEDS LIGHTS POINTS	2
70	RPOR0280	LEDS TRANSFORMER 5V DC	1
71	RPOR0281	LEDS CONTROLER	1
73	RPOR0259	CABLE 4 OUTPUTS + LEDS	8
100	RPOR0314	AQUATIC GRILL BLACK SPEAKER 2"	4
101	RPOR0320	MINISPEAKER BLACK 2"	4

VALID FROM 09/06/2016

According to our policy of continuous improvement, dimensions, features or components of this product can be partially or completely changed without prior notice. It's Customer responsibility to verify that this is the last version of the drawing

Change No.	Date	Name	Modification
07	23/06/2016	I.Pozo	Change blower and add new spare templates
06	28/10/2015	E. Graells	Furniture update
05	07/10/2014	I.Pozo	Change Blower 700W and add transformer/controler
04	15/04/2014	I.Pozo	Change filter

Remarks Dimensions in mm. General Tolerances +/- 10mm			SPARE PARTS DRAWING		
Drawn	09/04/2013	X.Codina			
Checked	28/10/2015	V. Saiz	Rev.	07	
Scale	1:5	General Tolerance			
Sheet	3/3	DIN 7168 ISO 2768g			

Property of IBERSPA S.L. Avda. Pla d'Urgell 2-8 25200 Cervera, Spain. Don't use without permission. Keep this information confidential and use it solely for the permitted purpose.