
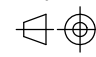


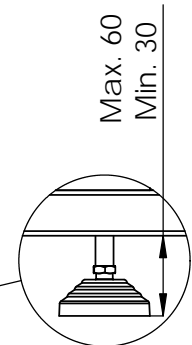
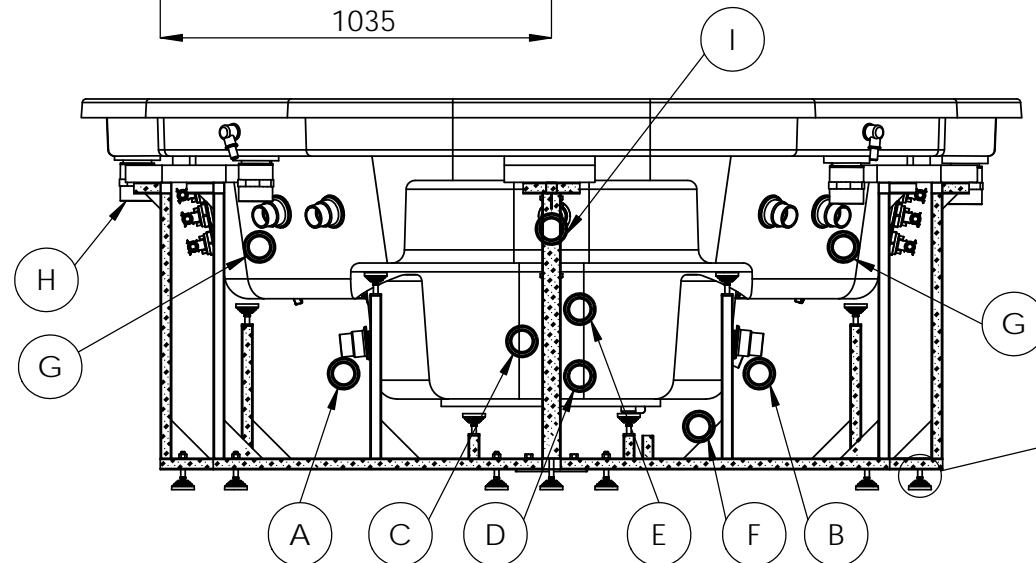
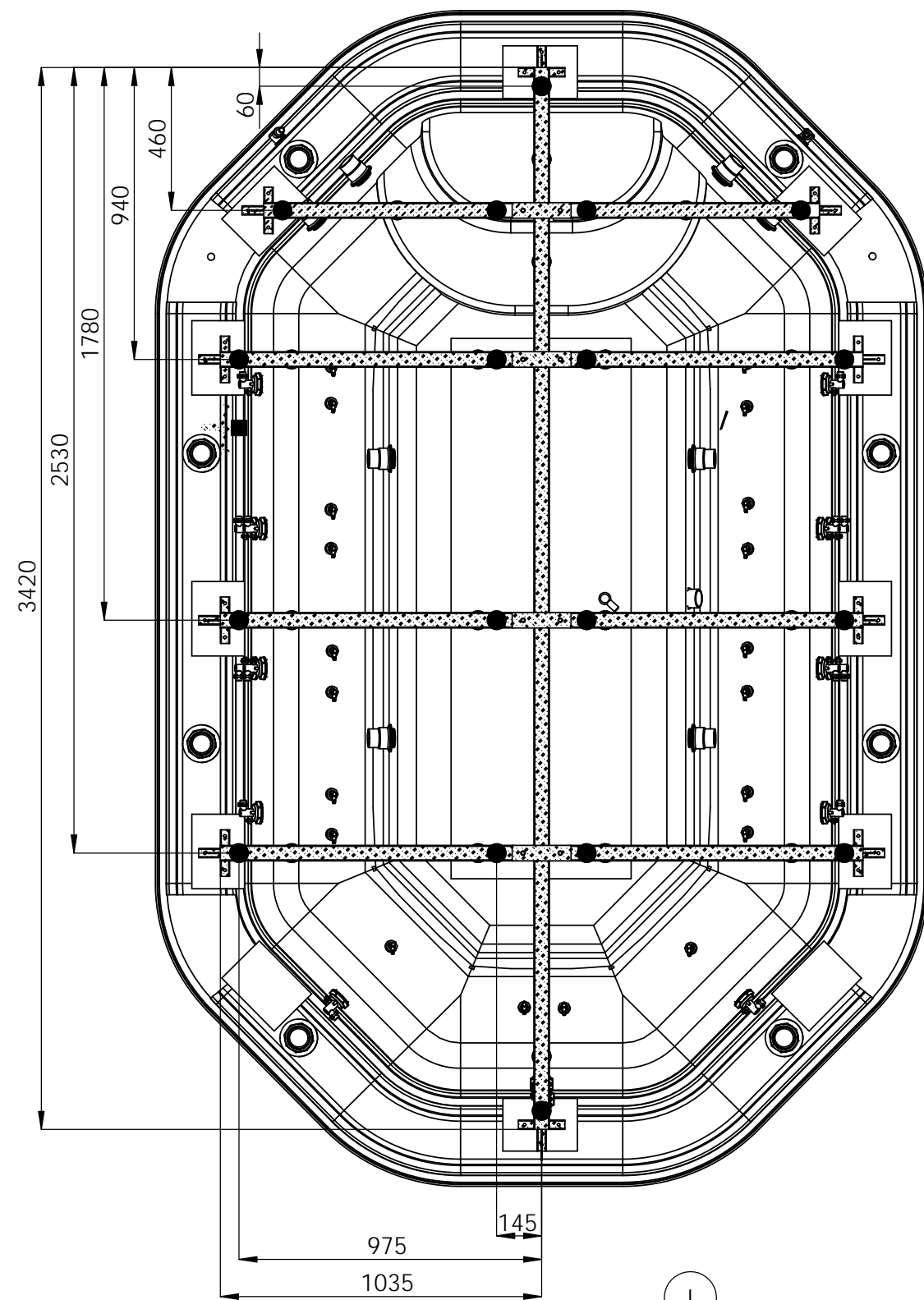
DETAIL GRID
SCALE 1:4

According to our policy of continuous improvement, dimensions, features or components of this product can be partially or completely changed without prior notice. It's Customer responsibility to verify that this is the last version of the drawing

Change No.	Date	Name	Modification
02	12/06/2014	I.Pozo	New spare template
01	26/05/2014	I.Pozo	New Templates

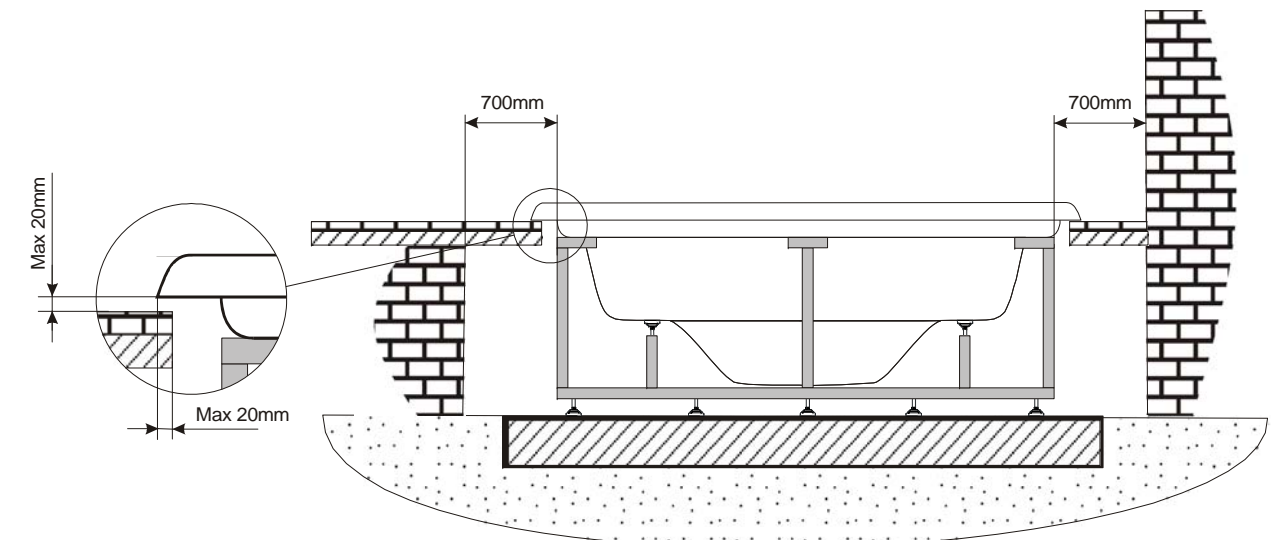
Remarks Dimensions in mm. General Tolerances +/- 10mm			COMMERCIAL		
Drawn	11/12/2012	X.Codina		Part Number	Rev.
Checked		A.Déu		56537	02
Scale	1:20	General Tolerance			
Sheet	1/3	DIN 7168 ISO 2768g			

A	Suction-Water Massage Pump 1	Ø 63mm FEMALE SOCKET
B	Suction-Water Massage Pump 2	Ø 63mm FEMALE SOCKET
C	Return-Water Massage Pump 1	Ø 63mm FEMALE SOCKET
D	Return-Water Massage Pump 2	Ø 63mm FEMALE SOCKET
E	Return-Air Massage	Ø 63mm FEMALE SOCKET
F	Suction/Return-Filtration Pump Bottom Spa	Ø 63mm FEMALE SOCKET
G	Return-Filtration Pump Inlets (2x)	Ø 63mm FEMALE SOCKET
H	Overflow Drains	Ø 75mm FEMALE SOCKET
I	Light (Optional)	Optional



DETAIL A
SCALE 1:5

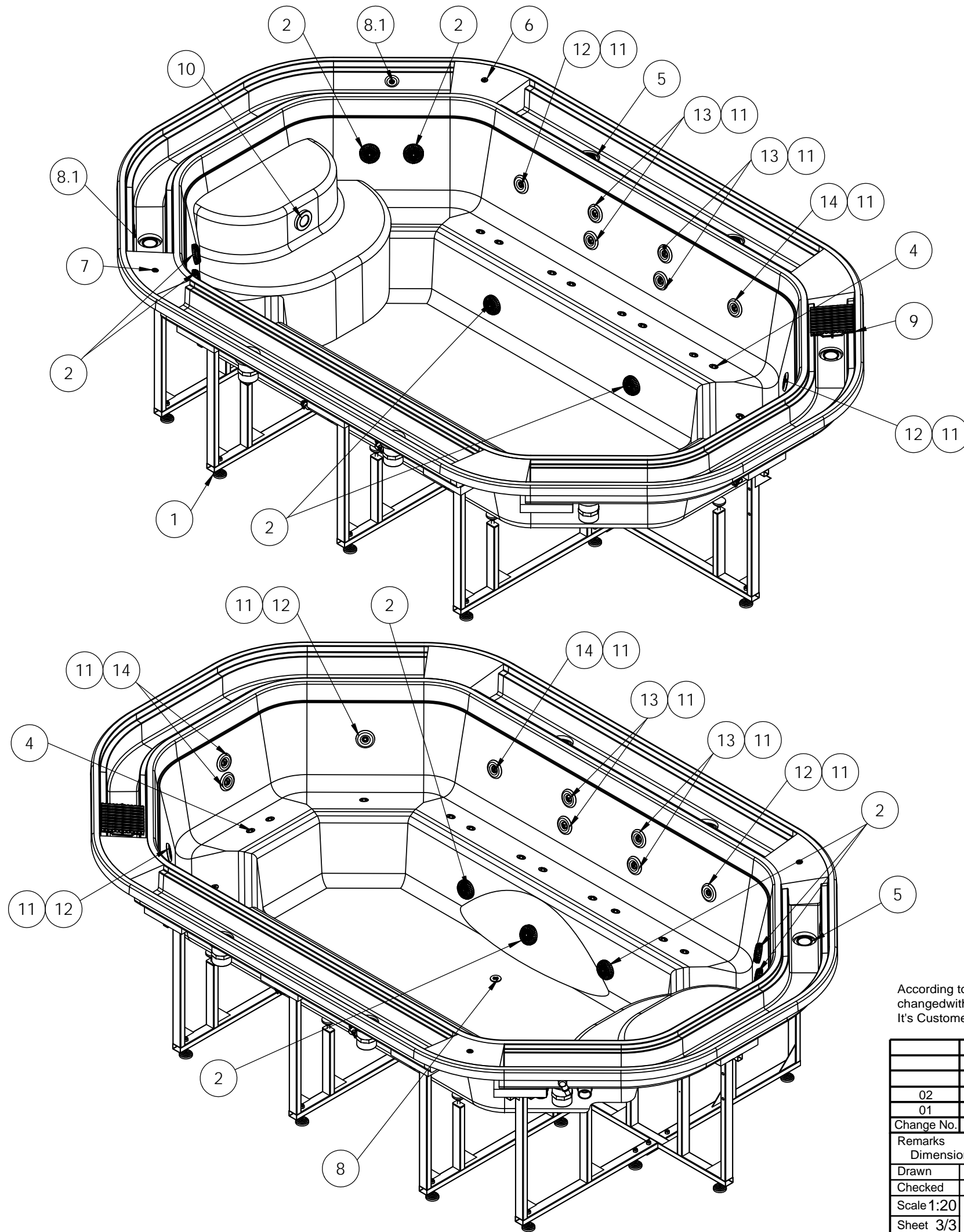
WARNING:
It's essential to keep a minimum clearance access of **700mm** all around.



According to our policy of continuous improvement, dimensions, features or components of this product can be partially or completely changed without prior notice.
It's Customer responsibility to verify that this is the last version of the drawing

Change No.	Date	Name	Modification
02	12/06/2014	I.Pozo	New spare template
01	26/05/2014	I.Pozo	New Templates


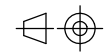
Remarks Dimensions in mm. General Tolerances +/- 10mm			COMMERCIAL		
Drawn	11/12/2012	X.Codina		Part Number	Rev.
Checked		A.Déu		56537	02
Scale	1:20	General Tolerance DIN 7168 ISO 2768g			First Angle Projection
Sheet	2/3				



STAINLESS STEEL JETS + COLOUR LIGHT			
Position Num.	Part Nº SPARE	Description SPARE	Quant.
1	303325R	SPA SUPPORT	35
2	RPOR0275	SS SPA DRAIN 2" ADAPTOR SOCKET D.50	9
4	REMP0046	WHITE-STAINLESS STEEL AIR NOZZLE	20
5	REMP0051	WHITE SPA DRAIN 2 1/2"	8
6	REMP0034	DIGITAL BUTTON IP68 ALUM. AIR	1
7	REMP0033	DIGITAL BUTTON IP68 ALUM. WATER	1
8	RPOR0277	INTERNAL SS DRAINPIPE	1
8.1	RPOR0001	WHITE DRAIN SET 1/2"	2
9	REMP0039	SPA OLIMPIA GRATING	382
10	RCOM0063	HIGH INTENSITY COLOURS LED SPOTLIGHTS + STEEL ESCUTCHEON SPOTLIGHT	1
11	RPOR0236	JET BODY SET RD 3"	16
12	RPOR0231	FRONTAL JET 3" STAINLESS STEEL DIRECTIONAL	4
13	RPOR0232	FRONTAL JET 3" STAINLESS STEEL 1 JET ROTO	8
14	RPOR0233	FRONTAL JET 3" STAINLESS STEEL TWIN ROTO	4

According to our policy of continuous improvement, dimensions, features or components of this product can be partially or completely changed without prior notice. It's Customer responsibility to verify that this is the last version of the drawing

Change No.	Date	Name	Modification
02	12/06/2014	I.Pozo	New spare template
01	26/05/2014	I.Pozo	New Templates

Remarks			SPARE DRAWING			
Dimensions in mm. General Tolerances +/- 10mm						
Drawn	11/12/2012	X.Codina		Part Number	56537	
Checked		A.Déu		Rev.		02
Scale 1:20	General Tolerance					
Sheet 3/3	DIN 7168 ISO 2768g					