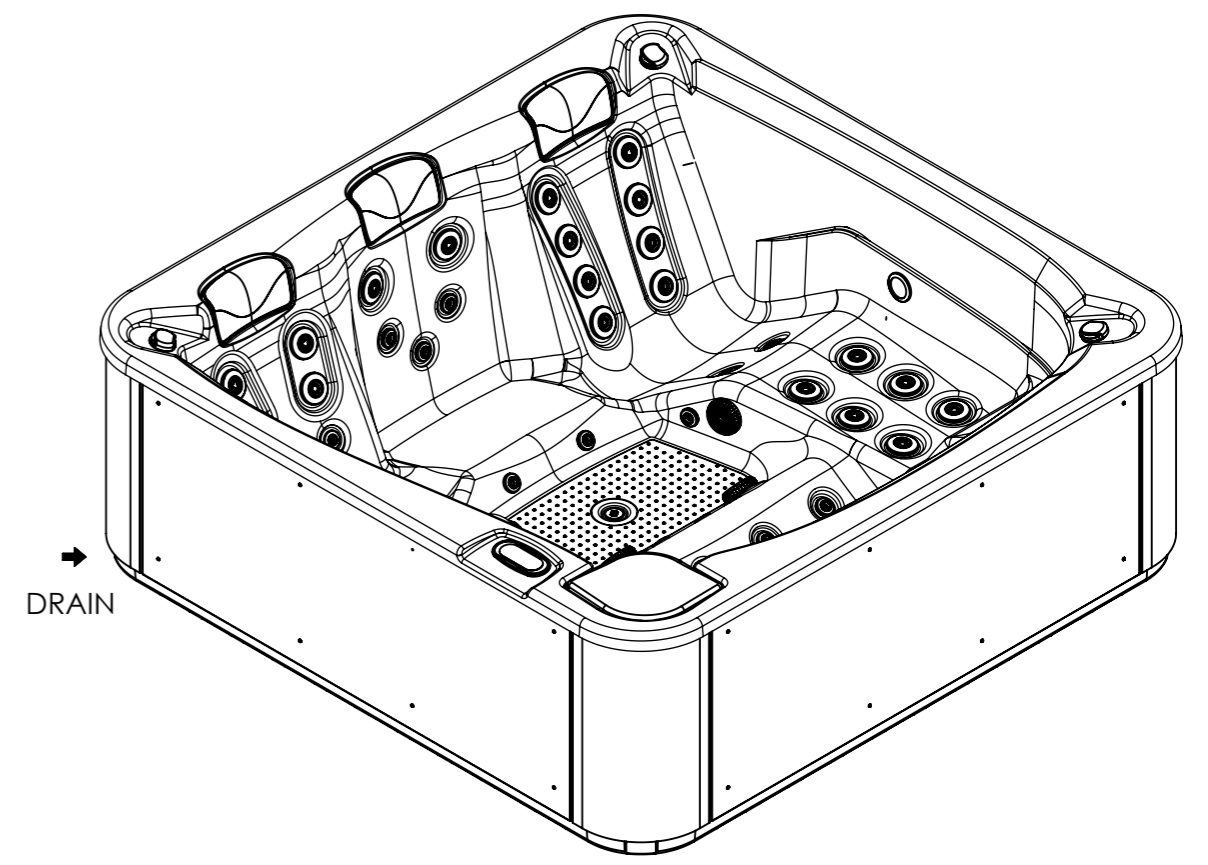
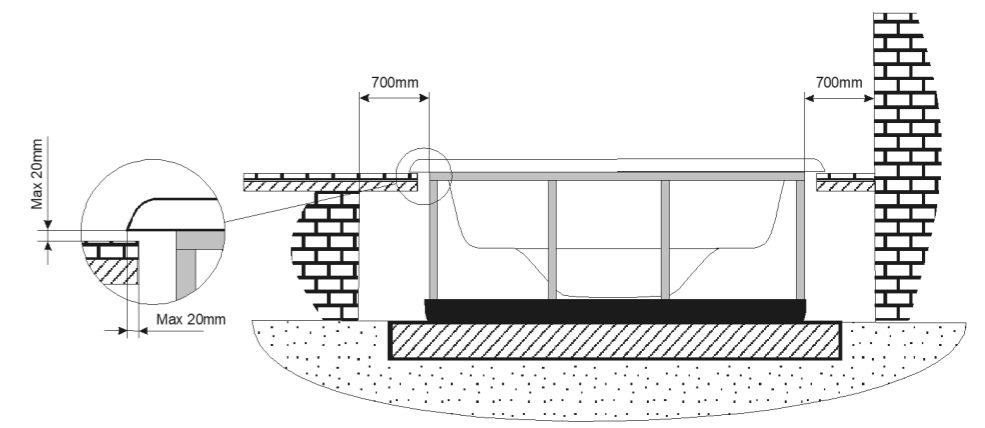


↑
↑
ELECTRICAL BOARD CONNECTIONS ACCESS



WARNING:
It's essential to keep a minimum clearance access of **700mm** all around.

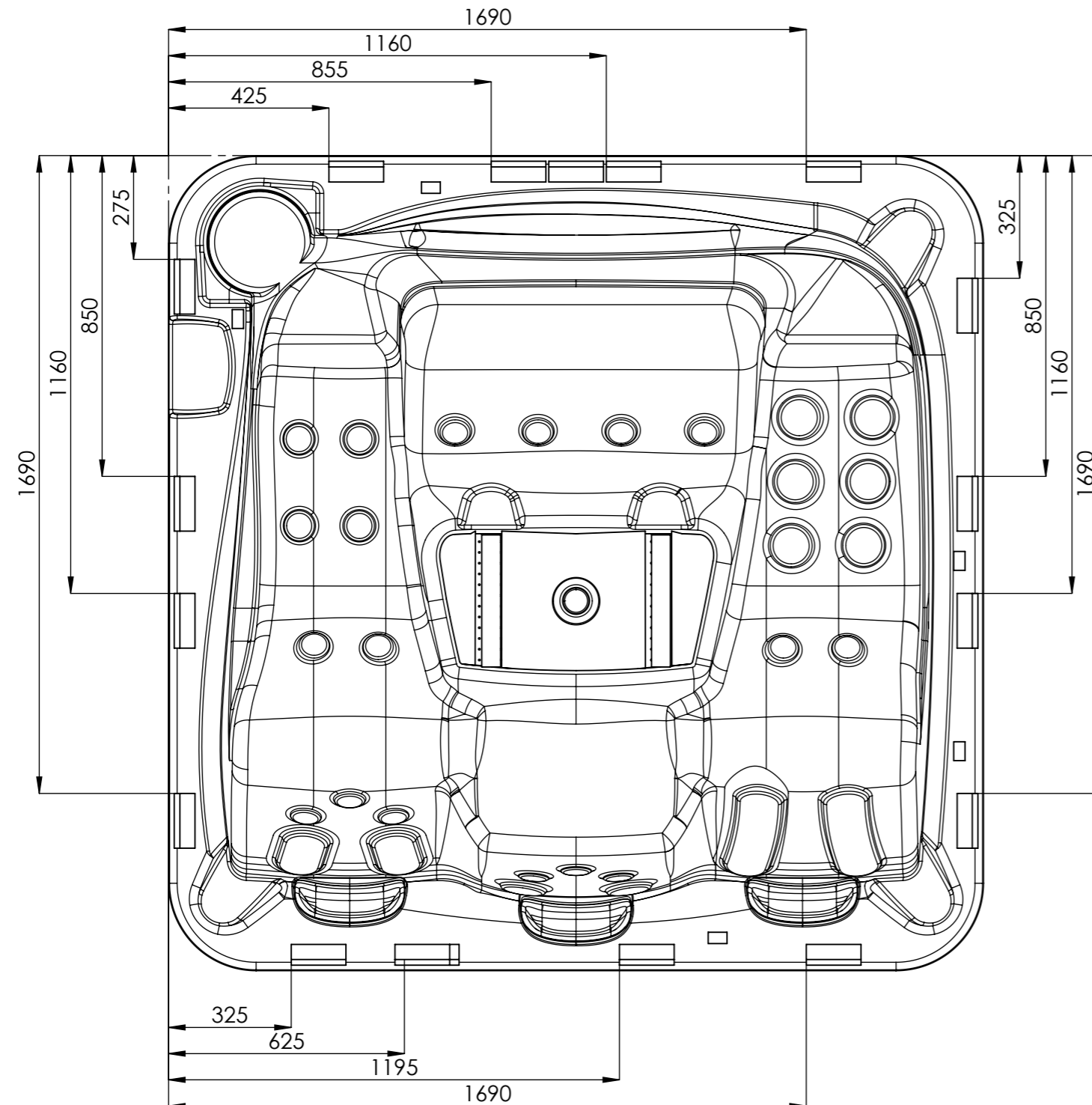
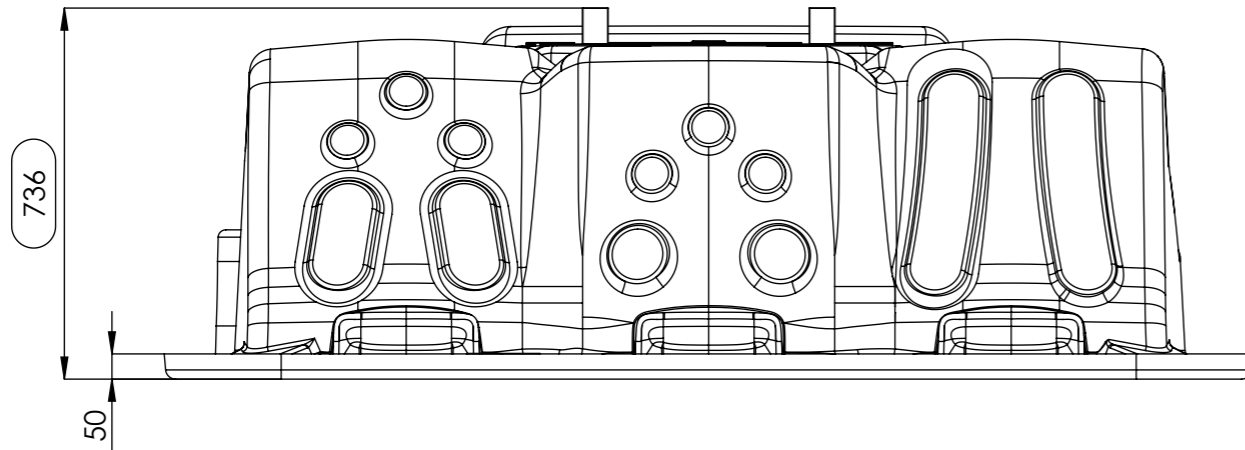


*According to our policy of continuous improvement, dimensions, features or components of this product can be partially or completely changed without prior notice.
It's Customer responsibility to verify that this is the last version of the drawing.*

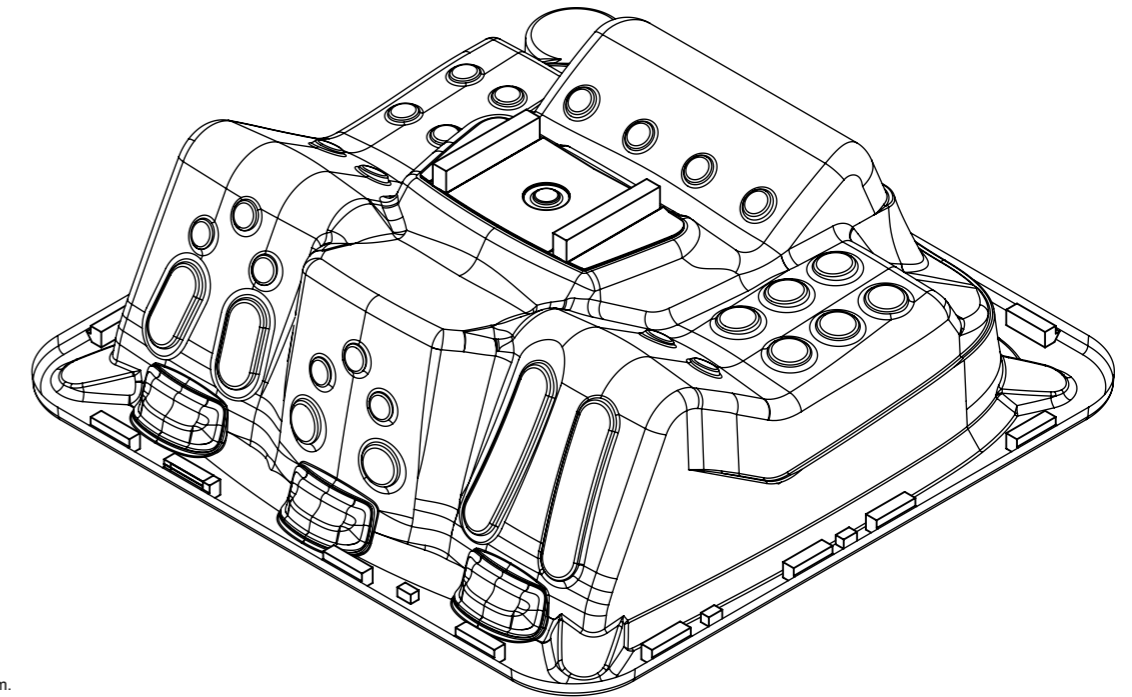
| | | | |
|--|--|--|--|
| | | | |
| | | | |
| | | | |
| | | | |
| | | | |

| Revision Revisión | Date Fecha | Name Nombre | Modification Modificación |
|----------------------|---------------|----------------|------------------------------|
| | | | |
| | | | |
| | | | |
| | | | |

| | | | | | |
|---|--------------------|-----------|-------------------|--------------|-----------|
| Dimensions in mm. General Tolerances +/- 10mm | | | COMMERCIAL | | |
| | Date | Name | Code | Rev. | Size |
| Drawn | 19/09/2022 | A. Miquel | iberspa | 75831 | 00 |
| Checked | 08/11/2022 | X. Codina | | | |
| Scale 1:15 | General Tolerance | | | 75831 | 00 |
| Sheet 1/1 | DIN 7168 ISO 2768g | | | | |



| N.º DE ELEMENTO | N.º DE PIEZA | DESCRIPCIÓN | CANTIDAD |
|-----------------|--|-------------------------|----------|
| 1 | Casc_Touch 5_alleugerit per 3D | | 1 |
| 3 | E-900 | | 16 |
| 4 | Taco Venturi | E-2 | 5 |
| 5 | E-317 | Taco inferior de madera | 2 |
| 6 | E-900-S | TAC CURT | 2 |
| 7 | SB0240MEC | Poliuretá | 2 |
| 8 | 018PJ- 0190_Plantilla coremat 684 (Touch 5) | | 1 |



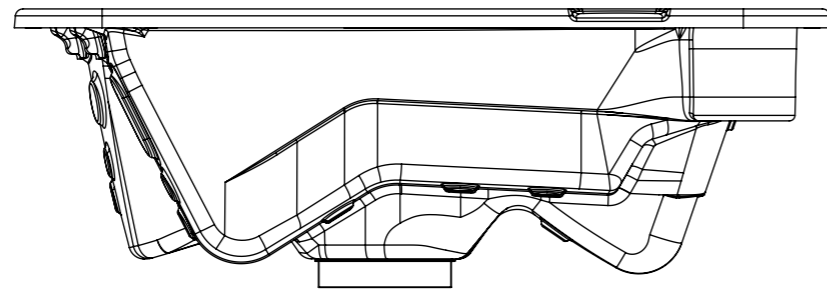
Dimensions in mm.

Cotas en mm.


Control Dimensions
Cotas de control

CC/SC Critical or Significant Characteristics
CC/SC Características Críticas o Significativas

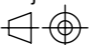

| Revision Revisión | Date Fecha | Name Nombre | Modification Modificación | | |
|-------------------------------|--|----------------------|------------------------------|--------------------------------|--|
| | | | | | |
| | | | | | |
| | | | | | |
| Drawing type Tipo de plano | | Design | | | |
| | Date Fecha | Name Nombre | Part Name Nombre | Part Number Número de pieza | Rev No. |
| Drawn Dibujado | 20/09/2022 | A. Miquel | Touch 5 | 75831 | 00 |
| Checked Verificado | 06/10/2022 | X. Codina | | | |
| Scale Escala | Size Tamaño | Material Material | | Weight Peso (kg) | Surface Coating Acabado Superficial |
| 1:15 | A3 | | | | Color Color |
| First Angle Projection | General Tolerance Tolerancias Generales DIN 7168 ISO 2768g | | | | Remarks Observaciones |
| | | | | | - |



Dimensions in mm.
 Cotas en mm.
 Control Dimensions
 Cotas de control



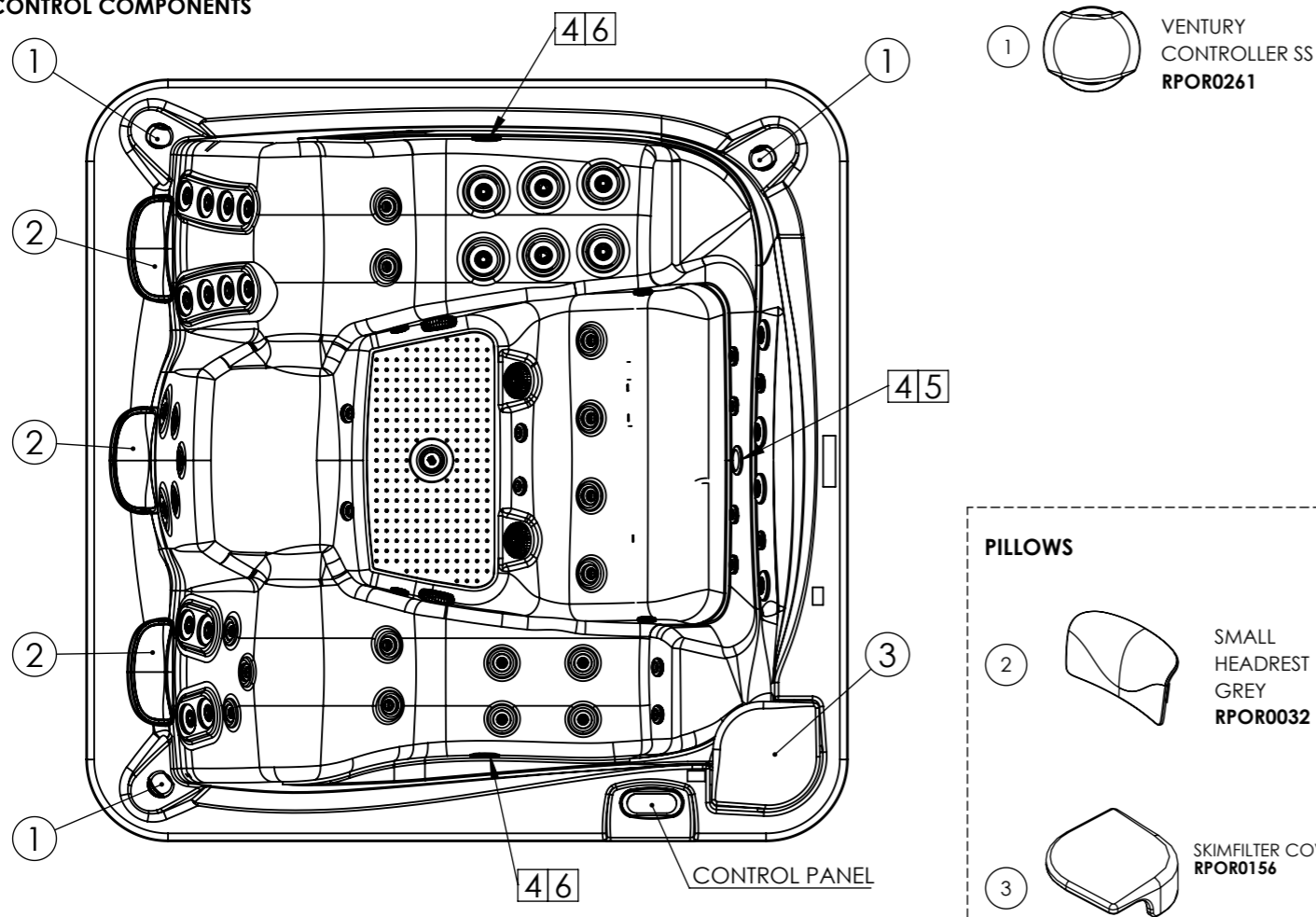
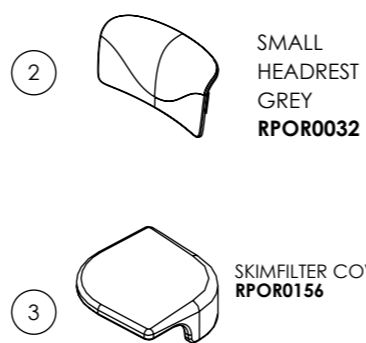
CC/SC Critical or Significant Characteristics
 CC/SC Características Críticas o Significativas

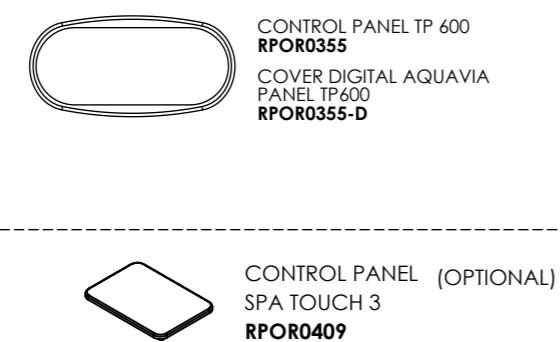
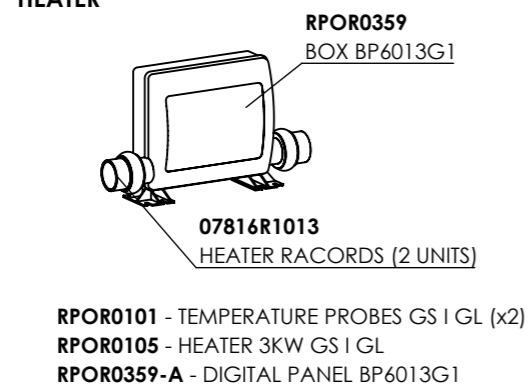
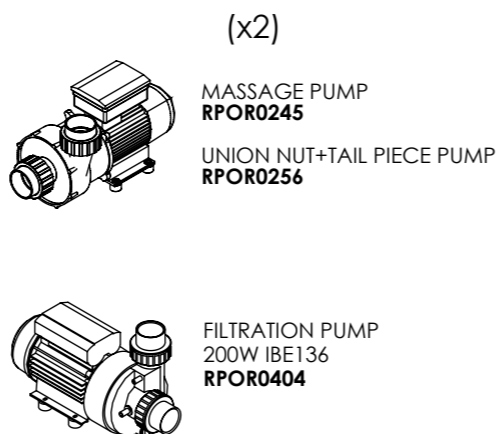
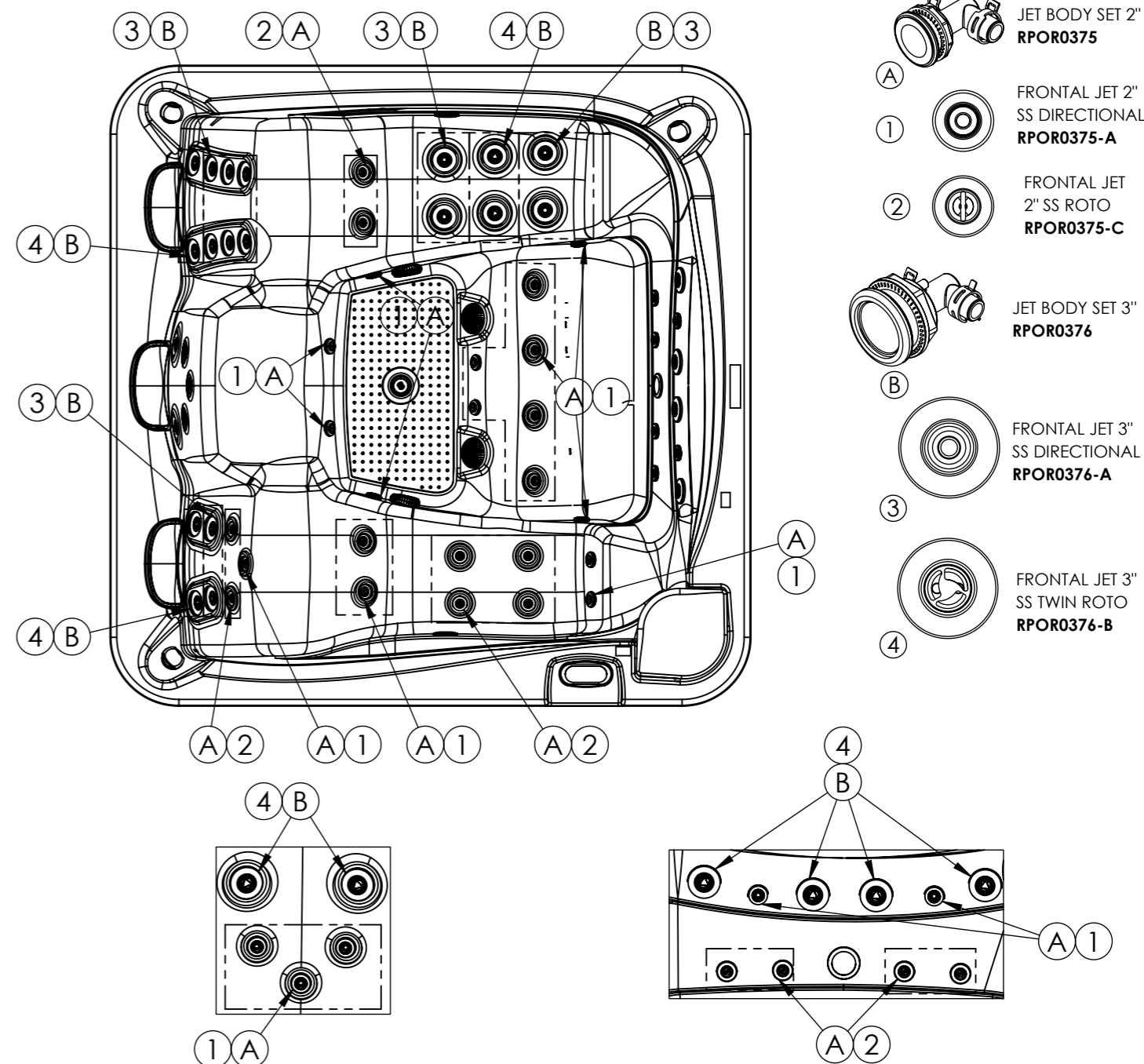
| | | | | | | |
|---|---|--------------------|---|------------------------------------|--|--------------------|
| Drawing type <i>Tipo de plano</i> | | Design | | | | |
| | Date <i>Fecha</i> | Name <i>Nombre</i> | Part Name <i>Nombre</i> | Part Number <i>Número de pieza</i> | Rev No. | |
| Drawn <i>Dibujado</i> | 20/09/2022 | A. Miquel | Touch 5 | 75831 | 00 | |
| Checked <i>Verificado</i> | 06/10/2022 | X. Codina | | | | |
| Scale <i>Escala</i> | Size <i>Tamaño</i> | A3 | Material <i>Material</i> | Weight <i>Peso</i> (kg) | Surface Coating <i>Acabado Superficial</i> | Color <i>Color</i> |
| 1:20 | | | | | | |
| First Angle Projection  | General Tolerance <i>Tolerancias Generales</i> DIN 7168 ISO 2768g | |  | | Remarks <i>Observaciones</i> -- | |
| Property of IBERSPA S.L. Avda. Plà d'Urgell 2-8 25200 Cervera, Spain. Don't use without permission. Keep this information confidential and use it solely for the permitted purpose. | | | | | | |

| | | |
|----------|------------|-----------|
| Revision | Date | Name |
| 00 | 09/11/2022 | I. Rica |
| Drawn | 10/11/2022 | X. Codina |
| Checked | | |

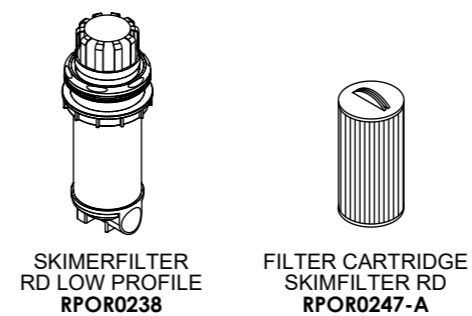
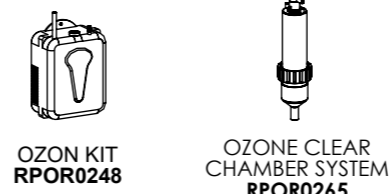
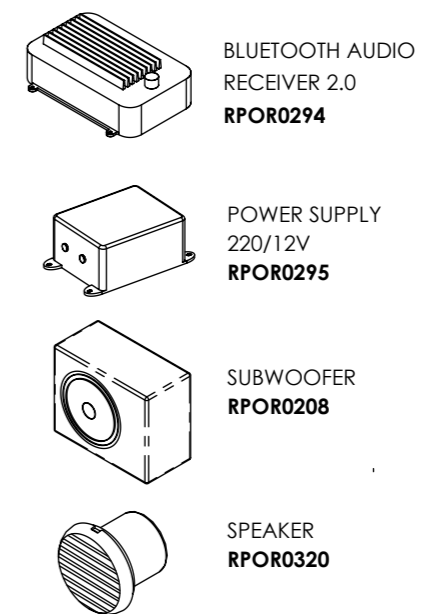
According to our policy of continuous improvement, dimensions, features or components of this product can be partially or completely changed without prior notice. It's Customer responsibility to verify that this is the last version of the drawing

Property of IBERSPA S.L. Avda. Pla d'Urgell 2-8 25200 Cervera, Spain. Don't use without permission. Keep this information confidential and use it solely for the permitted purpose.

CONTROL COMPONENTS

PILLOWS

LIGHT COMPONENTS

CONTROL PANELS

HEATER

PUMPS

COVER
65977


- JET BODY SET 2" RPOR0375
- FRONTAL JET 2" SS DIRECTIONAL RPOR0375-A
- FRONTAL JET 2" SS ROTO RPOR0375-C
- JET BODY SET 3" RPOR0376
- FRONTAL JET 3" SS DIRECTIONAL RPOR0376-A
- FRONTAL JET 3" SS TWIN ROTO RPOR0376-B

FILTRATION

DESINFECTATION

AUDIO Option 2.1

OTHER COMPONENTS
