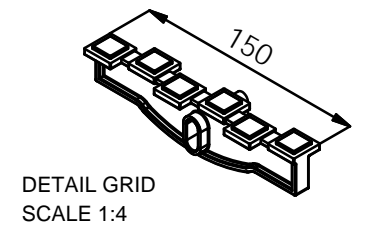
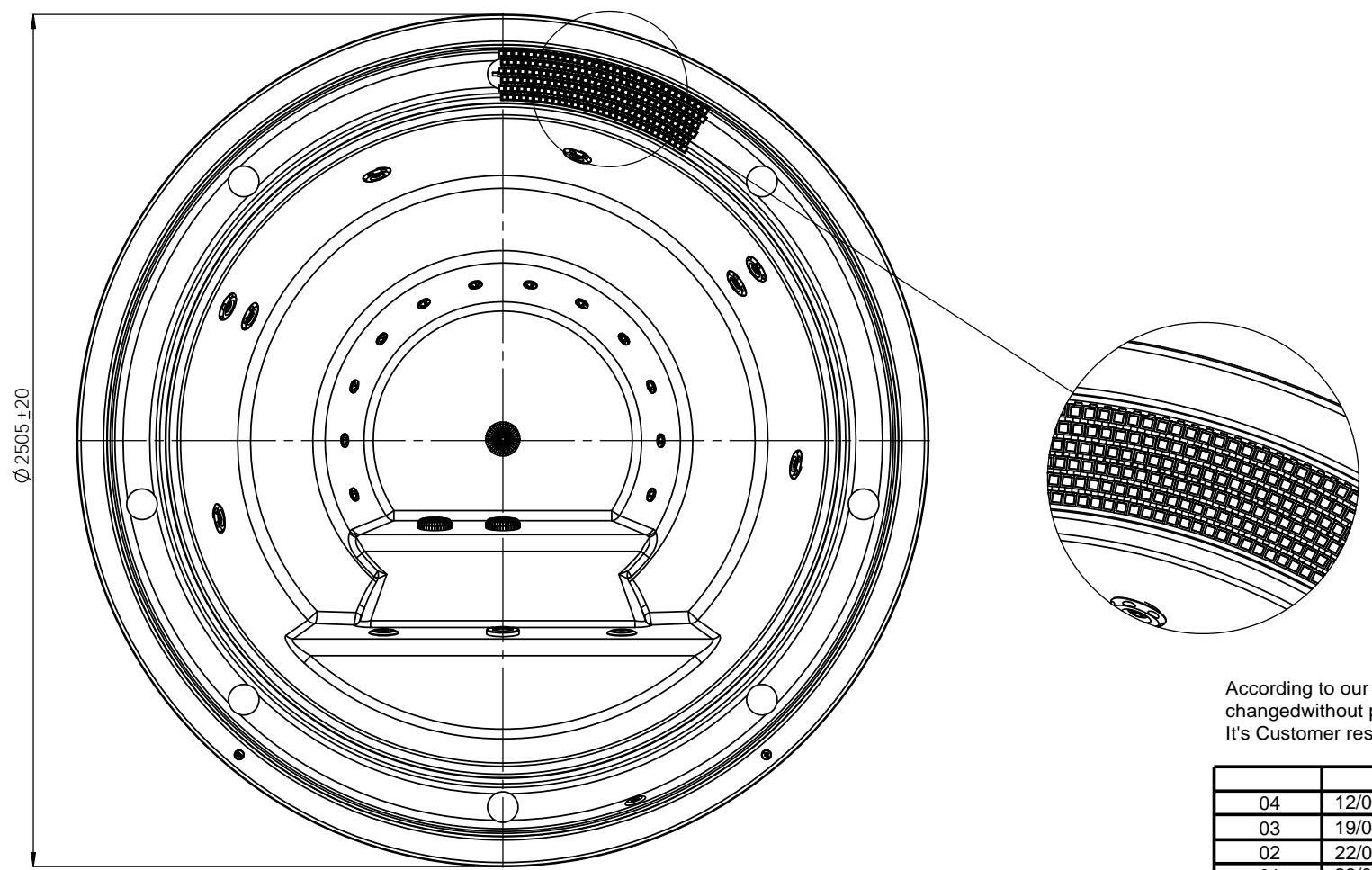
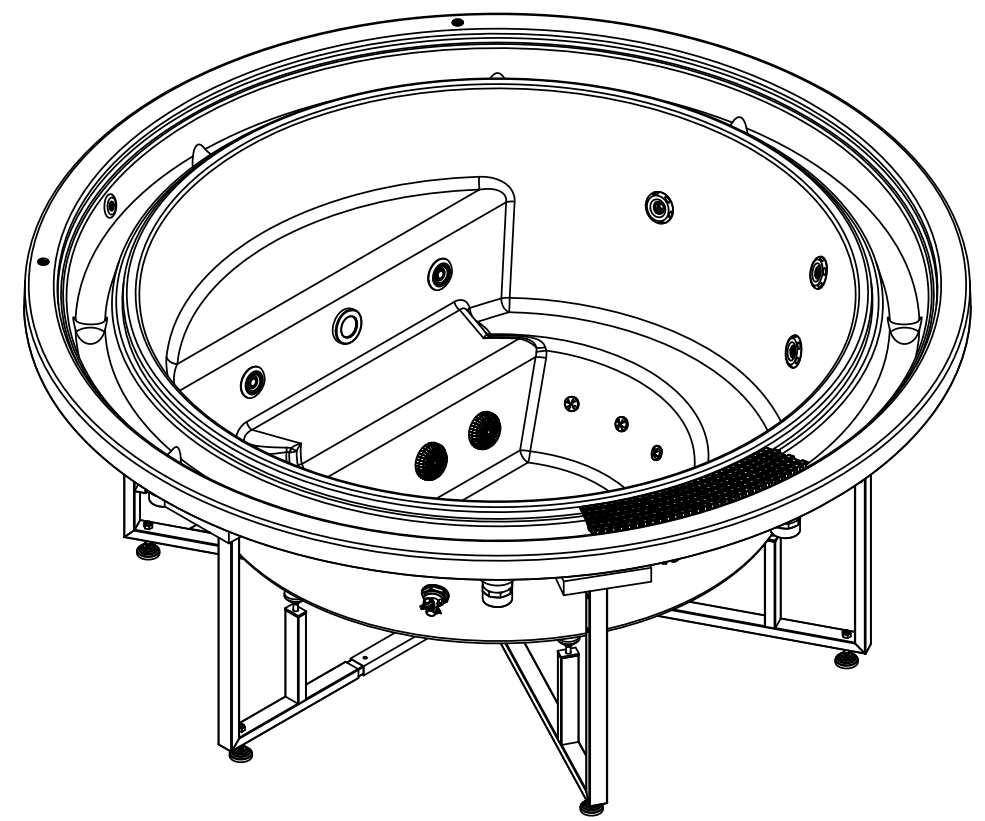
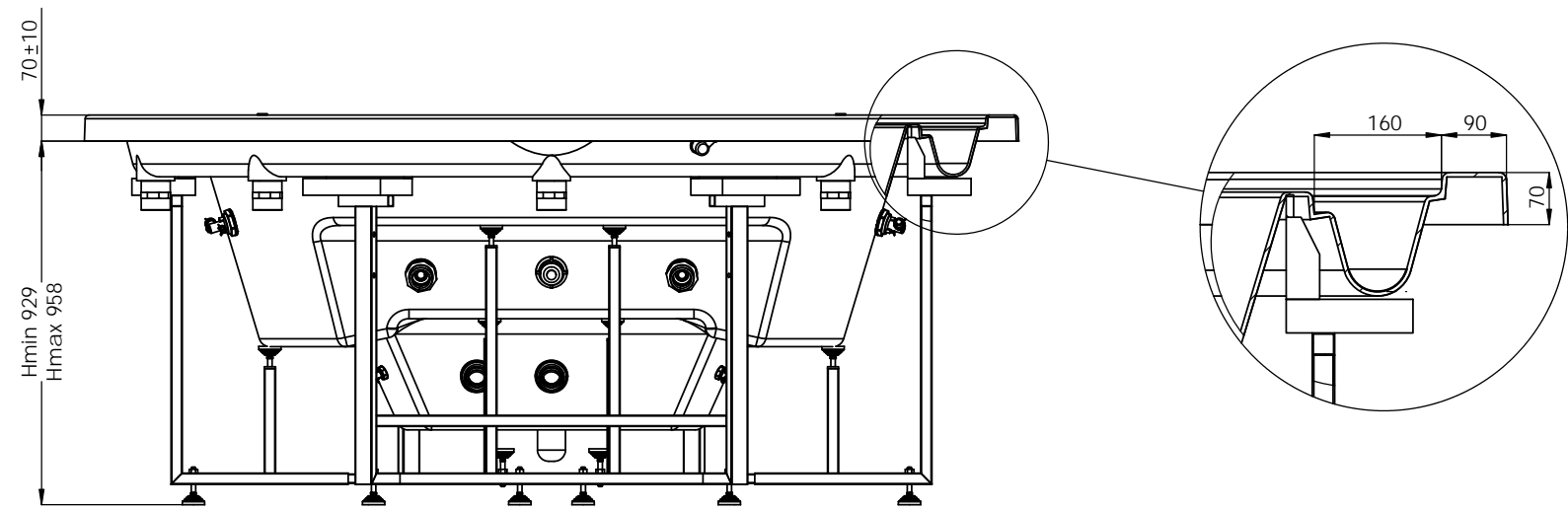


General specifications	
Spa weight (dry)	208 Kg
Spa weight (filled)	1578 Kg
Package dimension	3110x2300x2200mm
Package weight	453 Kg

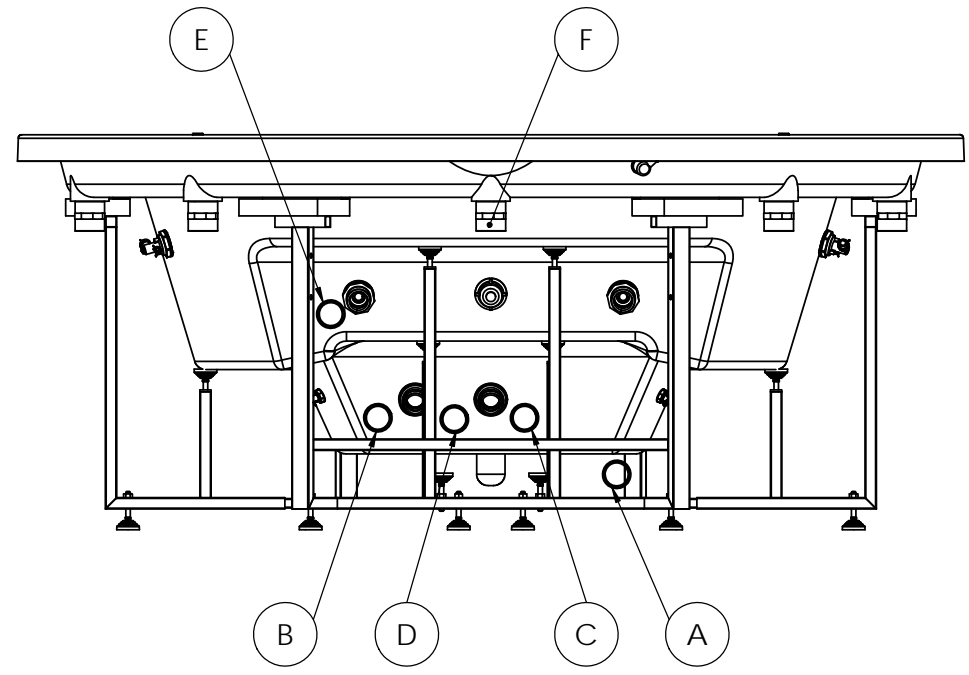
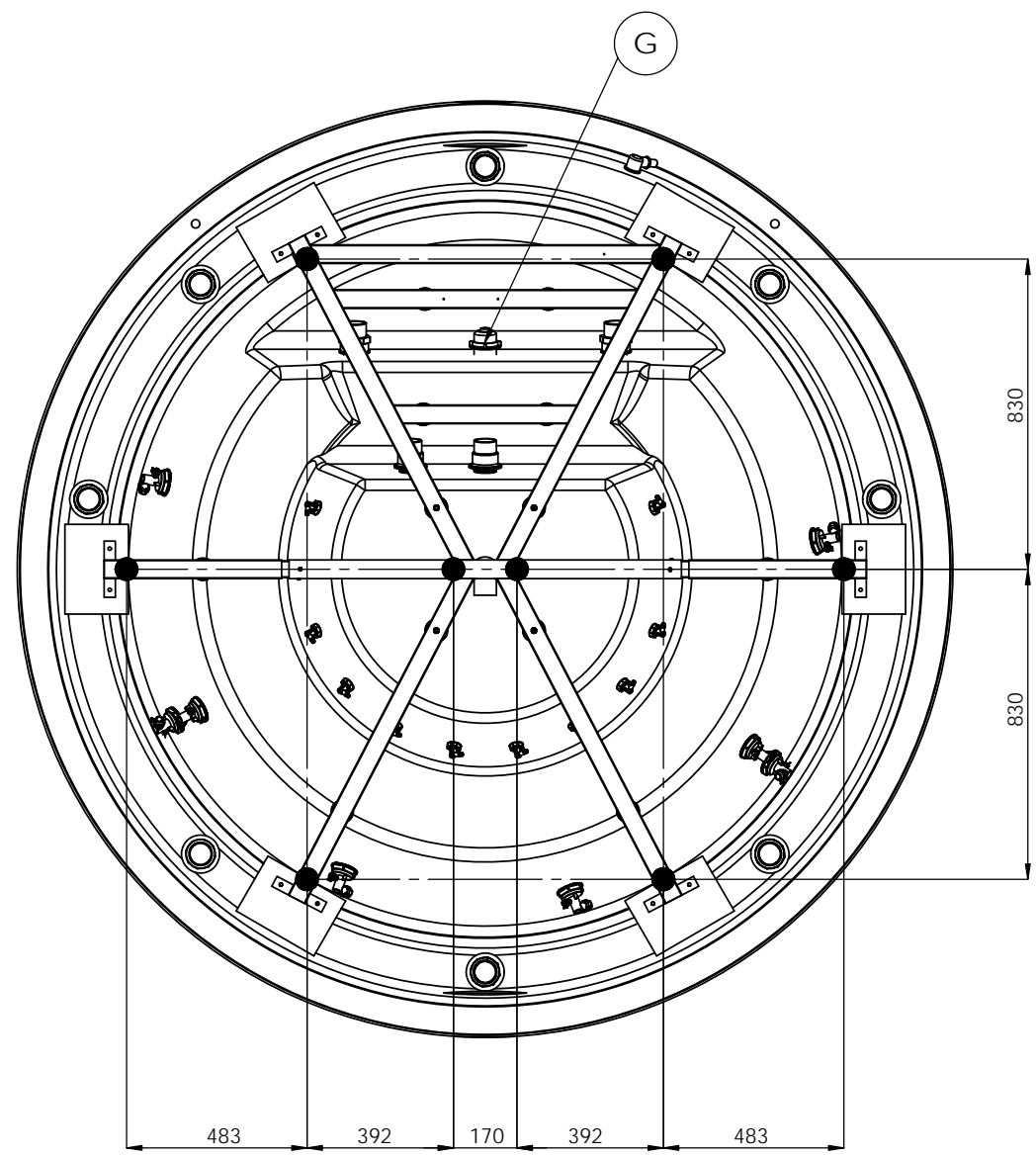


According to our policy of continuous improvement, dimensions, features or components of this product can be partially or completely changed without prior notice. It's Customer responsibility to verify that this is the last version of the drawing

Change No.	Date	Name	Modification
04	12/06/2014	I.Pozo	New Templates
03	19/09/2013	X.Codina	New Templates
02	22/03/2013	I.Pozo	Drawing Updated
01	23/09/2009	M.Freixes	

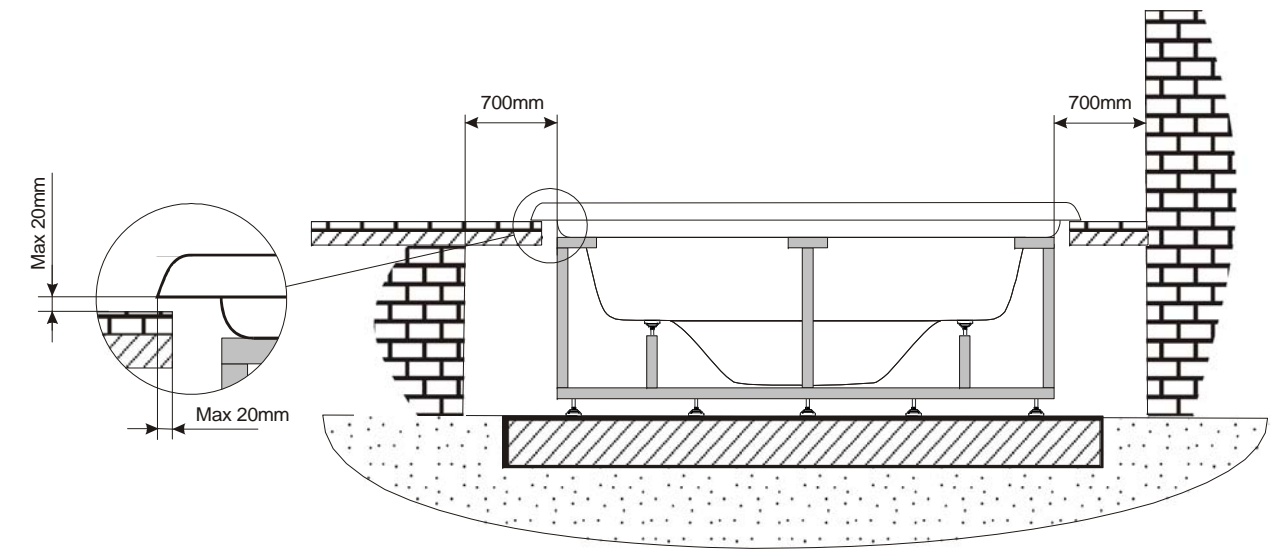
Remarks Dimensions in mm. General Tolerances +/- 10mm			COMMERCIAL		
Drawn	09/03/2009	M.Freixes		Part Number	Rev.
Checked				41453	04
Scale 1:20	General Tolerance DIN 7168 ISO 2768g			43743	
Sheet 1/3					

↑ ↑
HYDRAULIC CONNECTIONS ACCESS



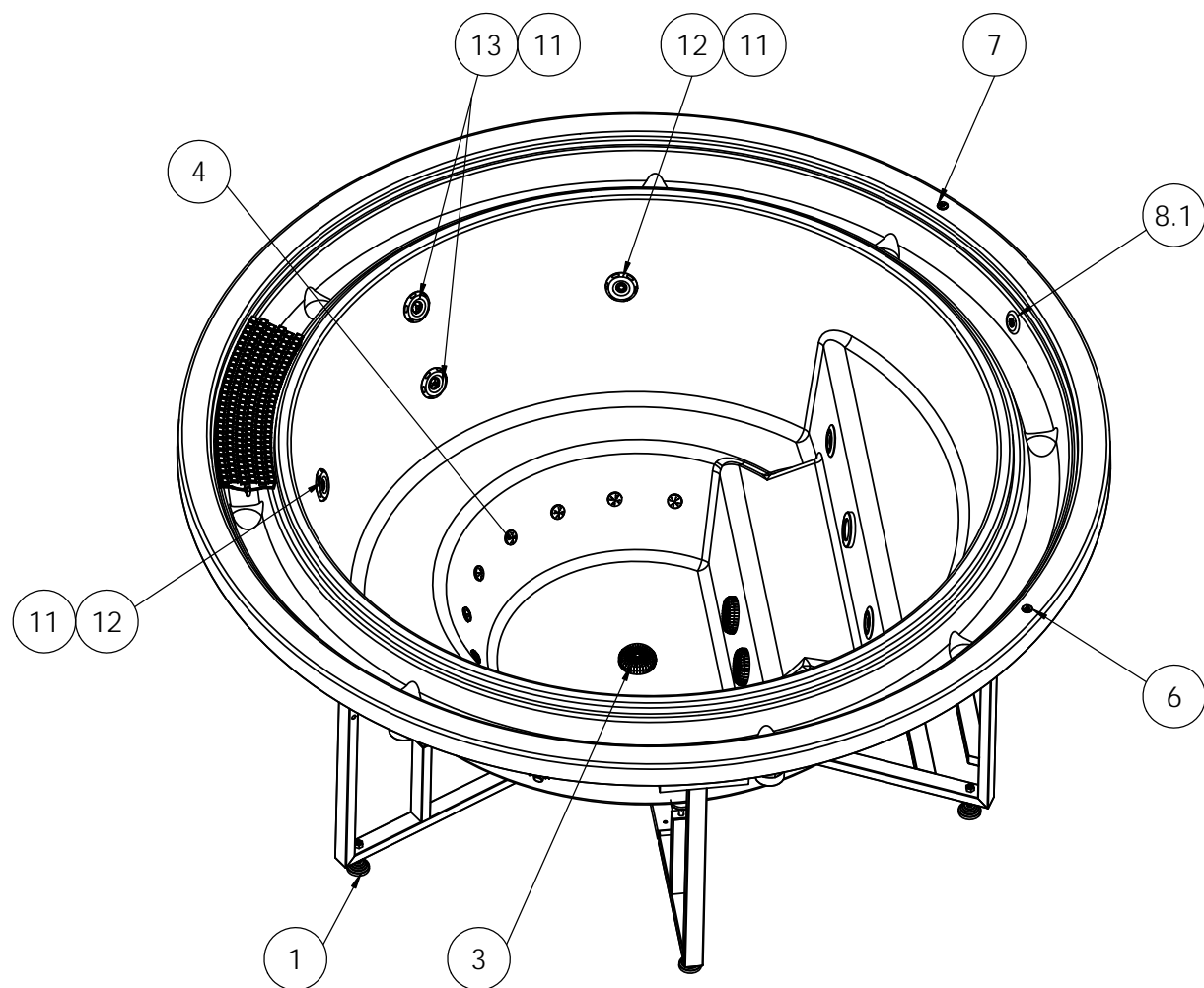
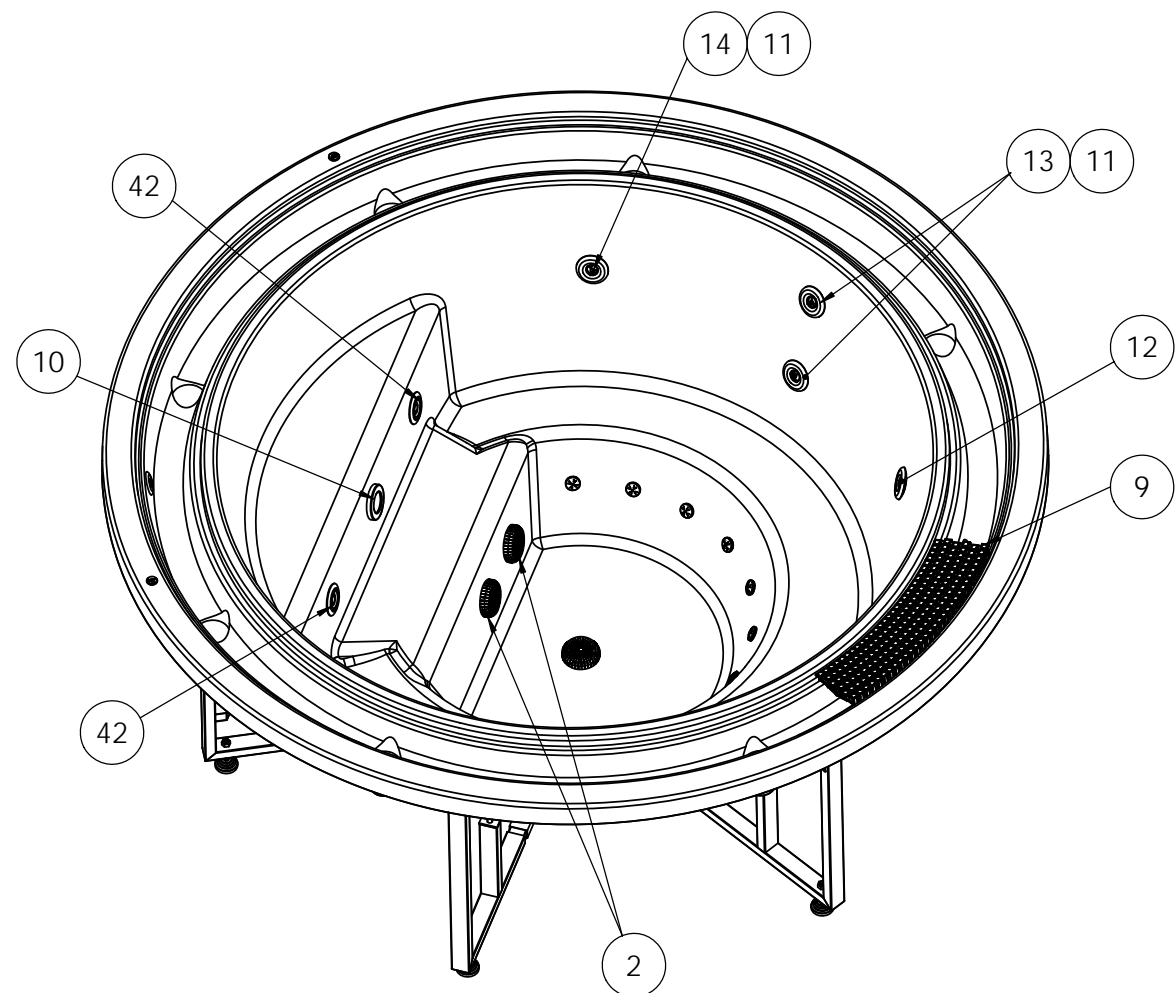
		41453	43743
A	Suction-Water Massage Pump 1	2" BSP FEMALE THREAD	2" BSP FEMALE SOLVENT SOCKET
B	Return-Water Massage Pump 1	2" BSP FEMALE THREAD	2" BSP FEMALE SOLVENT SOCKET
C	Return-Air Massage	2" BSP FEMALE THREAD	2" BSP FEMALE SOLVENT SOCKET
D	Suction/Return-Filtration Pump Bottom Spa	2" BSP FEMALE THREAD	2" BSP FEMALE SOLVENT SOCKET
E	Return-Filtration Pump Inlets	2" BSP FEMALE THREAD	2" BSP FEMALE SOLVENT SOCKET
F	Overflow Drains (8x)	Ø 2" BSP FEMALE THREAD	2" BSP FEMALE SOLVENT SOCKET
G	Light		

WARNING:
It's essential to keep a minimum clearance access of **700mm** all around.
Minimum depth of spa hole **935 mm**.



According to our policy of continuous improvement, dimensions, features or components of this product can be partially or completely changed without prior notice.
It's Customer responsibility to verify that this is the last version of the drawing

04	12/06/2014	I.Pozo	New Templates
03	19/09/2013	X.Codina	New Templates
02	22/03/2013	I.Pozo	Drawing Updated
01	23/09/2009	M.Freixes	
Change No.	Date	Name	Modification
Remarks			COMMERCIAL
Dimensions in mm. General Tolerances +/- 10mm			
Drawn	09/03/2009	M.Freixes	
Checked			
Scale 1:20	General Tolerance		
Sheet 2/3	DIN 7168 ISO 2768g		
			Part Number
			41453
			43743
			Rev.
			04
			First Angle Projection
Property of IBERSPA S.L. Avda. Pla d'Urgell 2-8 25200 Cervera, Spain. Don't use without permission. Keep this information confidential and use it solely for the permitted purpose.			



STAINLESS STEEL JETS + WHITE LIGHT			
Position Num.	Part Nº SPARE	Description SPARE	Quant.
1	303325R	SPA SUPPORT	20
2	RPOR0223	WHITE SPA DRAIN 2" ADAPTOR SOCKET D.50	2
3	RPOR0224	WHITE SPA DRAIN 2" ADAPTOR ELBOW 90 D.50	1
4	REMP0046	WHITE-STAINLESS STEEL AIR NOZZLE	12
6	REMP0034	DIGITAL BUTTON IP68 ALUM. AIR	1
7	REMP0033	DIGITAL BUTTON IP68 ALUM. WATER	1
8.1	RPOR0001	WHITE DRAIN SET 1/2"	1
9	REMP0050	CURVED GRATING WIDTH 150 mm (21 PIECES)	286
10	RPOR0024	LIGHT SPAS SI800	1
11	RPOR0236	JET BODY SET RD 3"	8
12	RPOR0231	FRONTAL JET 3" STAINLESS STEEL DIRECTIONAL	3
13	RPOR0232	FRONTAL JET 3" STAINLESS STEEL 1 JET ROTO	4
14	RPOR0233	FRONTAL JET 3" STAINLESS STEEL TWIN ROTO	1
42	REMP0010	PRESSURE NOZZLE	2

WHITE JETS + WHITE LIGHT			
Position Num.	Part Nº SPARE	Description SPARE	Quant.
1	303325R	SPA SUPPORT	20
2	RPOR0223	WHITE SPA DRAIN 2" ADAPTOR SOCKET D.50	2
3	RPOR0224	WHITE SPA DRAIN 2" ADAPTOR ELBOW 90 D.50	1
4	REMP0029	KIT STORM AIR NOZZLE	12
6	REMP0034	DIGITAL BUTTON IP68 ALUM. AIR	1
7	REMP0033	DIGITAL BUTTON IP68 ALUM. WATER	1
8.1	RPOR0001	WHITE DRAIN SET 1/2"	1
9	REMP0050	CURVED GRATING WIDTH 150 mm (21 PIECES)	286
10	RPOR0024	LIGHT SPAS SI800	1
11	RPOR0236	JET BODY SET RD 3"	8
12	REMP0058	FRONTAL JET DIRECCIONAL 3"	3
13	REMP0059	FRONTAL JET ROT 1 CHORRO 3"	4
14	REMP0060	FRONTAL JET ROT 2 CHORRO 3"	1
42	REMP0010	PRESSURE NOZZLE	2

STAINLESS STEEL JETS + COLOUR LIGHT			
Position Num.	Part Nº SPARE	Description SPARE	Quant.
1	303325R	SPA SUPPORT	20
2	RPOR0223	WHITE SPA DRAIN 2" ADAPTOR SOCKET D.50	2
3	RPOR0224	WHITE SPA DRAIN 2" ADAPTOR ELBOW 90 D.50	1
4	REMP0046	WHITE-STAINLESS STEEL AIR NOZZLE	12
6	REMP0034	DIGITAL BUTTON IP68 ALUM. AIR	1
7	REMP0033	DIGITAL BUTTON IP68 ALUM. WATER	1
8.1	RPOR0001	WHITE DRAIN SET 1/2"	1
9	REMP0050	CURVED GRATING WIDTH 150 mm (21 PIECES)	286
10	RCOM0063	HIGH INTENSITY COLOURS LED SPOTLIGHTS + STEEL ESCUTCHEON SPOTLIGHT	1
11	RPOR0236	JET BODY SET RD 3"	8
12	RPOR0231	FRONTAL JET 3" STAINLESS STEEL DIRECTIONAL	3
13	RPOR0232	FRONTAL JET 3" STAINLESS STEEL 1 JET ROTO	4
14	RPOR0233	FRONTAL JET 3" STAINLESS STEEL TWIN ROTO	1
42	REMP0010	PRESSURE NOZZLE	2

WHITE JETS + COLOUR LIGHT			
Position Num.	Part Nº SPARE	Description SPARE	Quant.
1	303325R	SPA SUPPORT	20
2	RPOR0223	WHITE SPA DRAIN 2" ADAPTOR SOCKET D.50	2
3	RPOR0224	WHITE SPA DRAIN 2" ADAPTOR ELBOW 90 D.50	1
4	REMP0029	KIT STORM AIR NOZZLE	12
6	REMP0034	DIGITAL BUTTON IP68 ALUM. AIR	1
7	REMP0033	DIGITAL BUTTON IP68 ALUM. WATER	1
8.1	RPOR0001	WHITE DRAIN SET 1/2"	1
9	REMP0050	CURVED GRATING WIDTH 150 mm (21 PIECES)	286
10	RCOM0061	HIGH INTENSITY COLOURS LED SPOTLIGHTS + WITHE ESCUTCHEON SPOTLIGHT	1
11	RPOR0236	JET BODY SET RD 3"	8
12	REMP0058	FRONTAL JET DIRECCIONAL 3"	3
13	REMP0059	FRONTAL JET ROT 1 CHORRO 3"	4
14	REMP0060	FRONTAL JET ROT 2 CHORRO 3"	1
42	REMP0010	PRESSURE NOZZLE	2

According to our policy of continuous improvement, dimensions, features or components of this product can be partially or completely changed without prior notice. It's Customer responsibility to verify that this is the last version of the drawing

Change No.	Date	Name	Modification
04	12/06/2014	I.Pozo	New Templates
03	19/09/2013	X.Codina	New Templates
02	22/03/2013	I.Pozo	Drawing Updated
01	23/09/2009	M.Freixes	

Remarks		SPARE DRAWING		
Dimensions in mm. General Tolerances +/- 10mm				
Drawn	09/03/2009	M.Freixes		
Checked				
Scale 1:20	General Tolerance DIN 7168 ISO 2768g			
Sheet 3/3				
		Part Number	Rev.	First Angle Projection
		41453	04	
		43743		

Property of IBERSPA S.L. Avda. Pla d'Urgell 2-8 25200 Cervera, Spain. Don't use without permission. Keep this information confidential and use it solely for the permitted purpose.